

G E series
SINGLE CYLINDER
GE516C



SINGLE CYLINDER GE516C

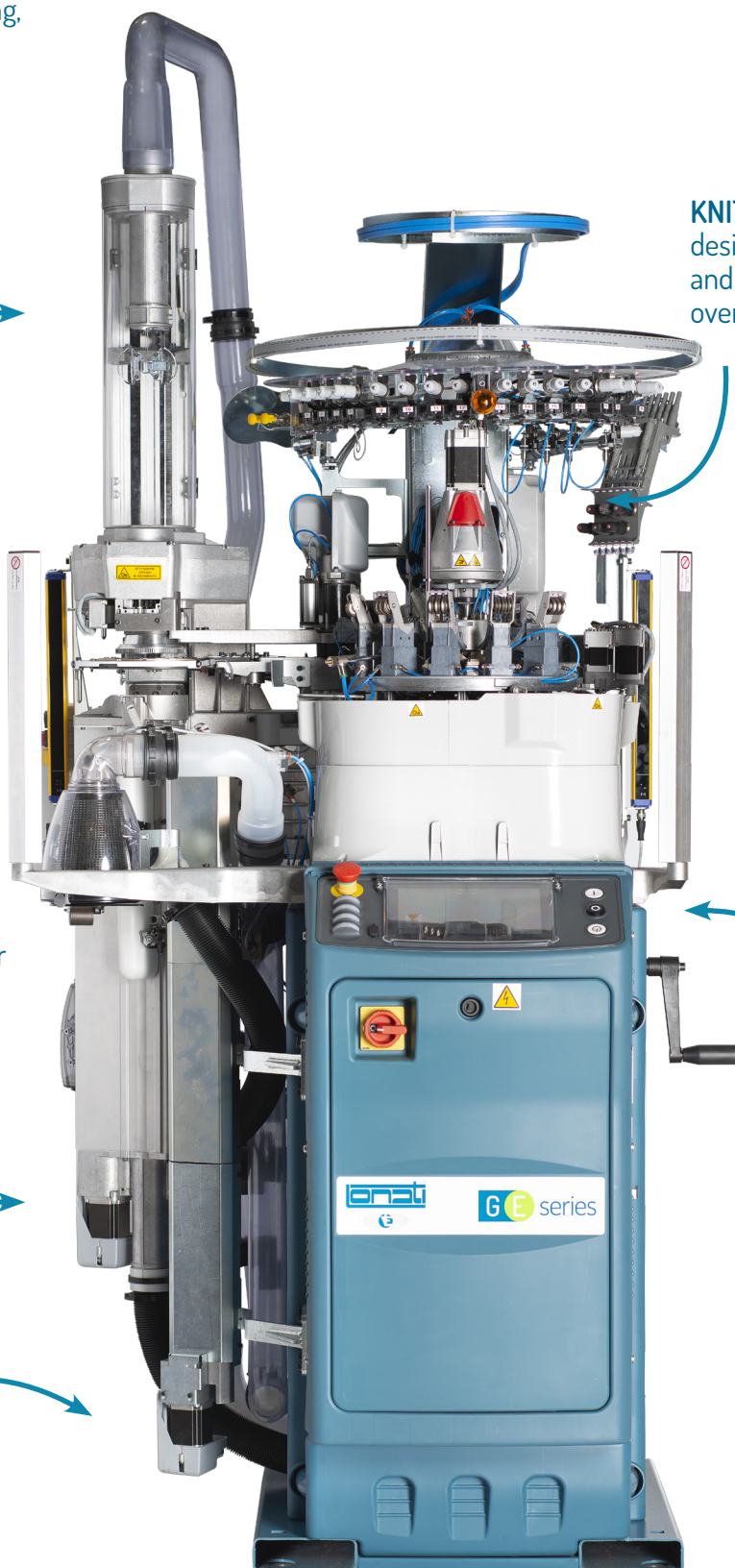
SBYS DEVICE,
for automatic linking,
increased reliability
and productivity
compared to the
previous series.

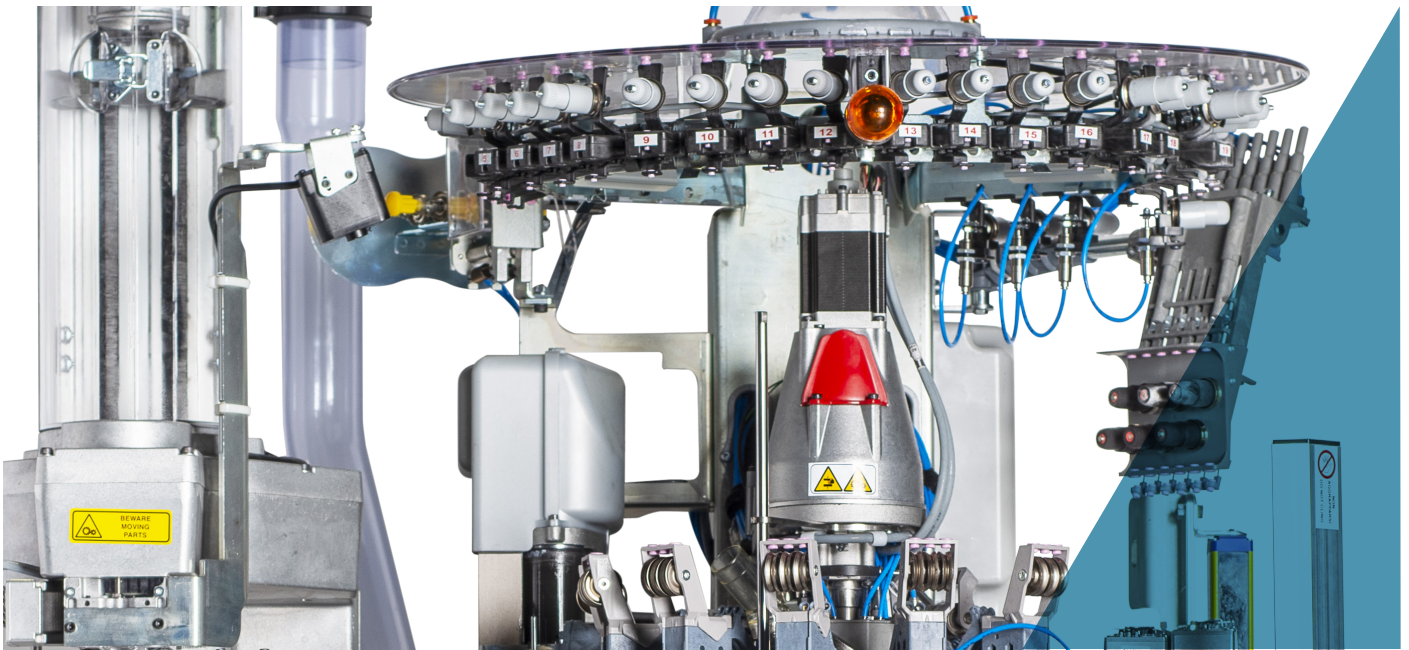
KNITTING HEAD
designed to knit high quality items
and ensure constant reliability
over time.

STEPPING MOTORS
with absolute encoder
for angular position
control.

HEAVY SOCK
device

NEW ELECTRONIC
9" high resolution
touch screen
display. New user
friendly interface.
Ethernet, Wifi, NFC
connections,
Bluetooth is also
available for future
developments.





All images in this brochure are indicative and not binding.

SINGLE CYLINDER GE516C

1 feed machines are the best sellers of the single cylinder for men's socks as, thanks to their versatility, they can produce several different items, from the very simple to the most complex, without compromising on quality and efficiency. Available in six colors version on course in 4" diameter and different number of needles. Automatic linking with the latest version of the SBYS device, performing a "real linking" technique. Advantages are remarkable: superior quality sock finishing, more comfort and resistance compared to socks made using conventional systems. New electronics provides control and execution of all machine commands. Drawings and articles are created and managed by Digraph 3 Plus software package, which contains a full collection of styles the operator can combine in different ways to obtain the desired results.

- 6 colors pattern on course according to the model, in terry
- Reciprocated heel and toe in different sizes and 3D effects
- 28 yarn fingers
- Rising dial and finger plate with stepping motor
- Electronic actuators for needle selection, 9
- Brushless coaxial main motor

MACHINE DIMENSIONS



Length max 127.3 cm
Depth max 114.8 cm
Height max 228 cm

MACHINE WEIGHT



ca. 315 Kg

CERTIFICATION



Green
Label

SINGLE CYLINDER

GE516C

TECHNICAL DATA

MODEL	CYLINDER DIAMETER	GAUGE	NEEDLE THICKNESS
GE516C	4"	from 8 to 14	0.85 - 1 mm

Above data are indicative and not binding.

STANDARD DEVICES

- Stepper motor electric dial with adjustable height
- Stitch cam feed: 1 with 3 different heights.
- Motorized sinker cap for sinker pressure and angular position
- 9" high resolution touch screen display
- Yarn sliding sensors guard cleaning device
- Heel yarn recover device with four positions
- G-Flot yarnfinger
- Motorized knit rising tube
- Heavy sock device
- 2 stepper motor controlled adjustable suction valves
- 9 yarnfingers on stitch feed
- Yarn creel
- USB port
- 18 color yarnfingers
- Circular yarn cutter with mechanical stop
- Dinema camera
- 1 yarnfinger on laid-in elastic feed

MAIN OPTIONAL DEVICES

- LGL Eco Power or Eco Compact yarn storage feeder, also available with "Attivo" electronic brake version
- Dinema GRYF positive yarn feeders
- Elastic yarn positive feeders, for compression socks
- Dinema Plus elastane positive feeders
- Motorized stitch cams
- Footlet device
- G-Flot 2 device
- Elastane extra pliers device
- Yarn recover device, 6 positions
- Yarn trimming circular cutter with adjustable speed
- Lower sock-turning device with rotating tube
- Linking device and yarnfingers inspection led lamps
- Preparation for storage feeder "Unifeeder 2" by BTR
- Ethernet board for connection to Dinema Nautilus data collector system
- Second elastic yarn finger
- Yarn sliding control sensors, Dinema ISPY
- Pneumatic yarn tensioner for covered elastane
- Suction fan

POSSIBLE KNITTING

The standard machine can perform the following knittings

- 6 colors pattern, plus ground color, mesh, tuck and float stitch, in terry
- With laid-in elastic: 6 colors pattern, plus ground, tuck and float stitch, in terry
- With laid-in elastic: 5 colors pattern, plus ground, mesh, tuck and float stitch, in terry

SINGLE CYLINDER

GE516C

NUMBER OF COLORS

Number of colors	GE516C 6 colors on course plus ground
------------------	---------------------------------------

PERFORMANCES

	4" CYLINDERS
KNITTING FEATURES	Patterns or selections or terry 300 rpm Plain knit without pattern with "high speed" sinkers cap 350 rpm
MAXIMUM SPEED	350 rpm

Above data are indicative and not binding.

DISCLAIMER: maximum speed may vary depending on yarn, knitting, lubrication etc

GAUGE

		GAUGE																					
Model	ø	6½	7	7½	8	8½	9	9½	10	10½	11	11½	12	12½	13	13½	14	14½	15	15½	16	16½	
GE516C	4"			84	96	108 112		116 120		128 132	136	144											
		Needle thickness 1 mm																					
							Needle thickness 0.85 mm																

Above data are indicative and not binding.

DISCLAIMER:

All features in the brochure are for information only and subject to change without any prior notice.

For a complete list of available options, please contact Lonati sales network.

The Company accepts no liability for improper use of machinery.

SINGLE CYLINDER

GE516C

NOISE LEVEL (Maximum noise output for GE series models)

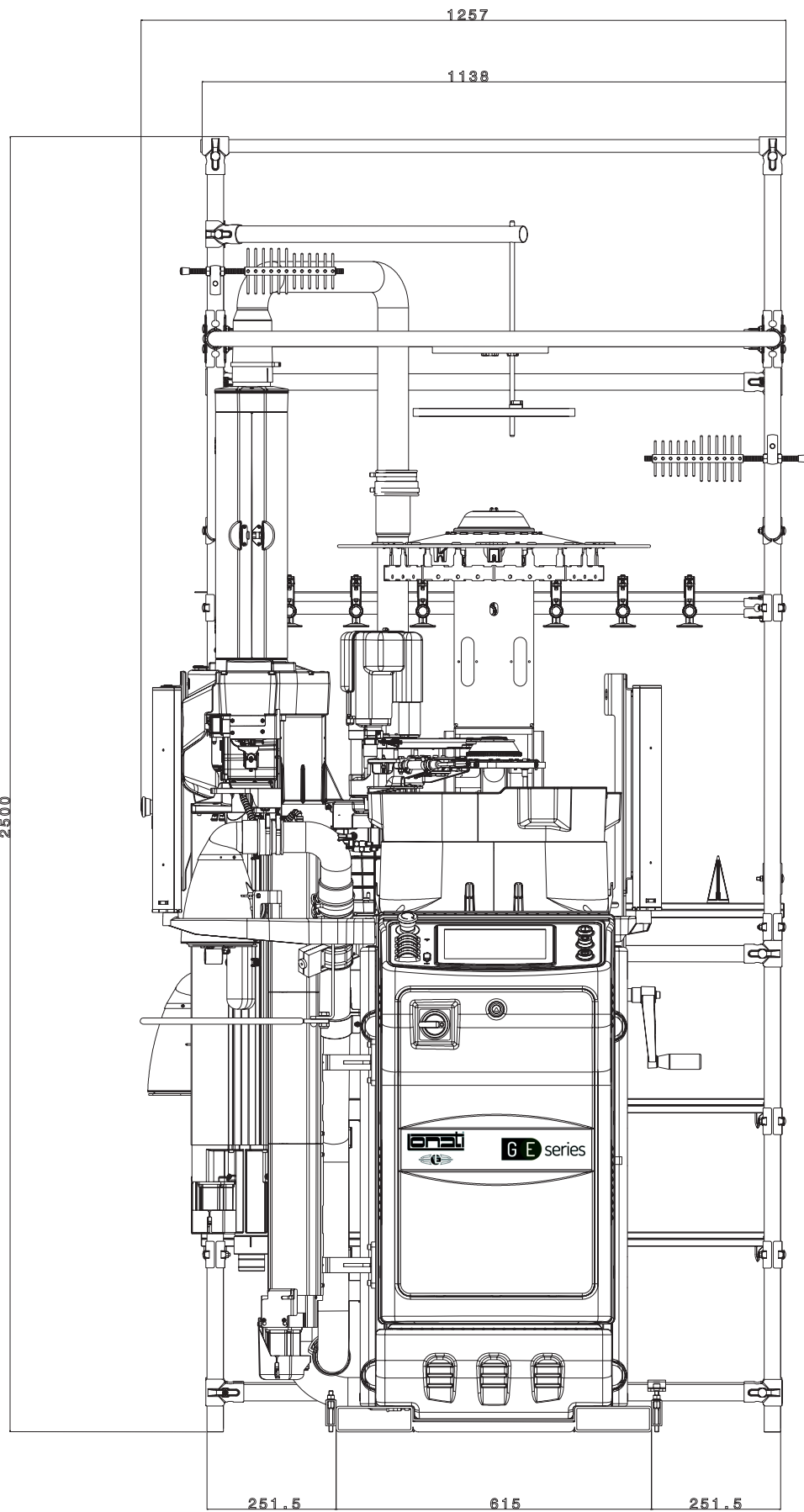
Noise pressure level on reference surface = LPA 79,5 dB - Noise power level = LWA 96,6 dB - Peak= 109,3 dB

LUBRICANTS

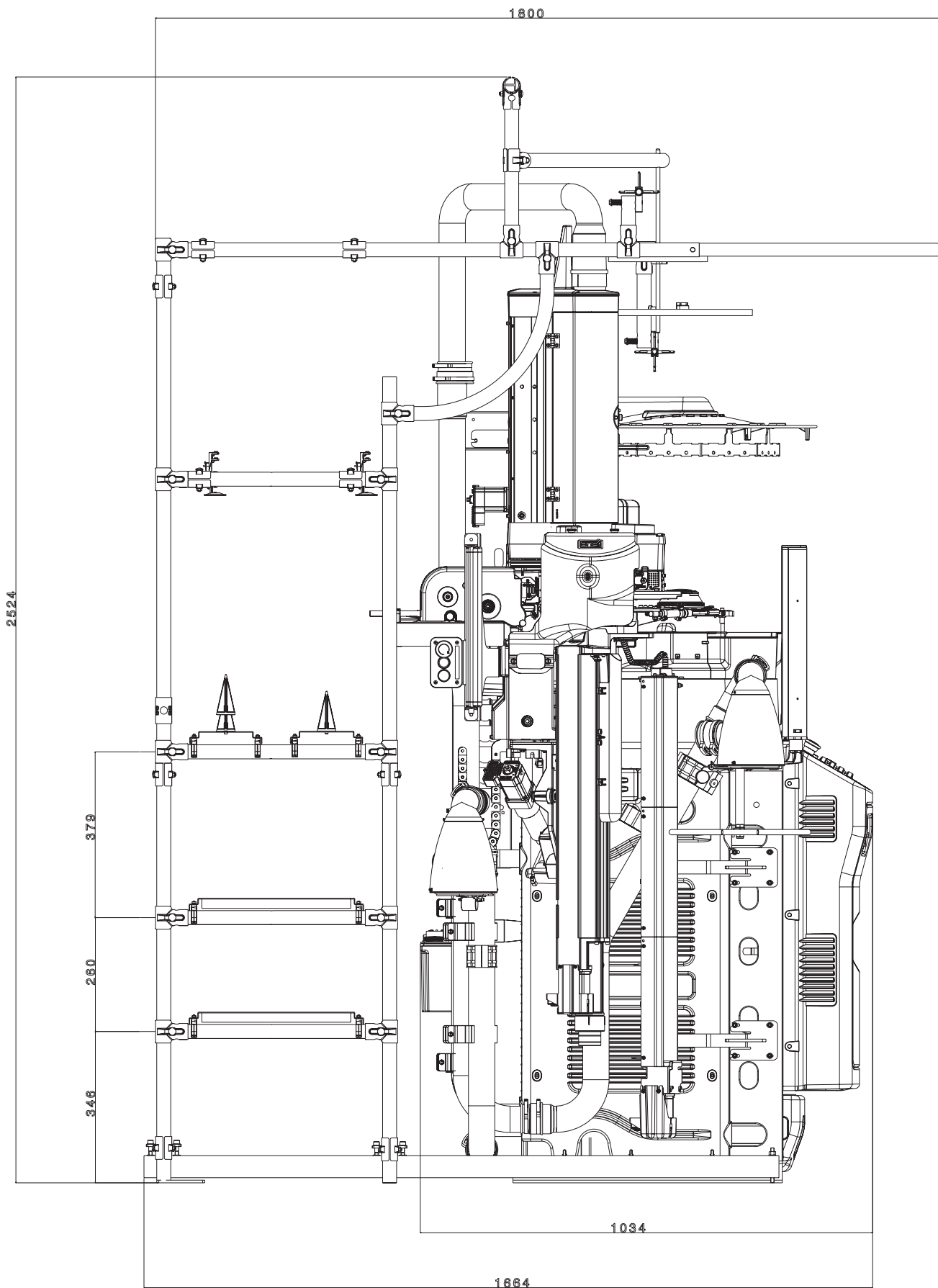
Average consumption for 100 dozens= 270 gr. Lonati recommends: Kluber Madol 183 Supreme - Fuchs Renolin Trax 16C - VICKERLUBE SOCK 46

GREASE

For seals, bearings etc: Lonati recommends: TechnolubeSeals Damping grease Nyogel 774F-1 (alternatively Maconsynth 4000) and Maconplex TX-1. FOR APPLICATION SEE SAFETY MANUAL (USE AND MAINTENANCE).



DESCRIPTION	CODE	NR. OF REELS	WEIGHT KG.	NOTES
Yarn creel	G3930706	23	51	Standard version
Yarn creel	G3930707	23	51	Version with BTR sensors



DESCRIPTION	CODE	NR. OF REELS	WEIGHT KG.	NOTES
Yarn creel	G3930706	23	51	Standard version
Yarn creel	G3930707	23	51	Version with BTSR sensors





LONATI SPA

Via Francesco Lonati, 3 | 25124 Brescia (Italy)
Tel. +39 03023901 | Fax +39 030 2310024
C.F.: 01469680175 | P.iva: 02096730961
info@lonati.com - www.lonati.com